

**INSTALLATION
INSTRUCTIONS**

Accessory

**SPLASH GUARDS
P/N 08P00-SCV-100B**

Application

2008 ELEMENT SC

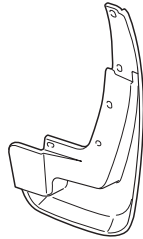
Publications No.

All 36491

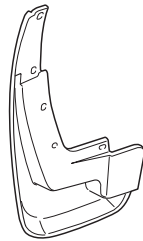
Issue Date

MAY 2007**PARTS LIST**

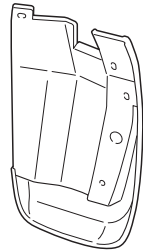
Left front splash guard



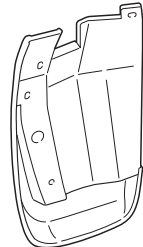
Right front splash guard



Left rear splash guard



Right rear splash guard



8 Self-tapping screws



4 Clip nuts



2 Screw grommets



2 Clips

**TOOLS REQUIRED**

Stubby Phillips screwdriver

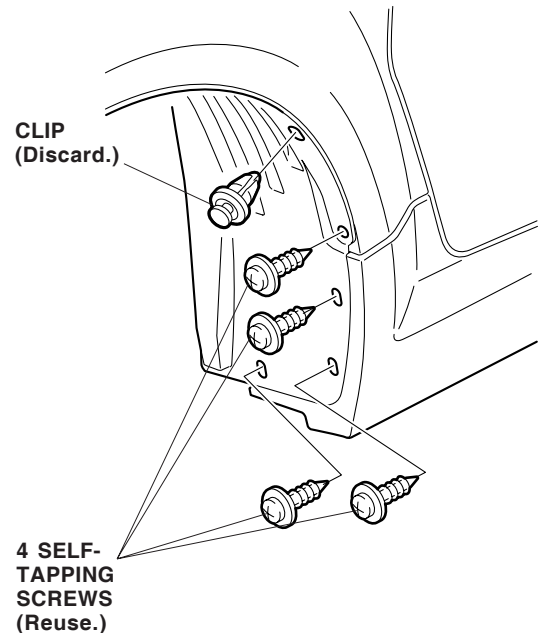
Phillips screwdriver

INSTALLATION

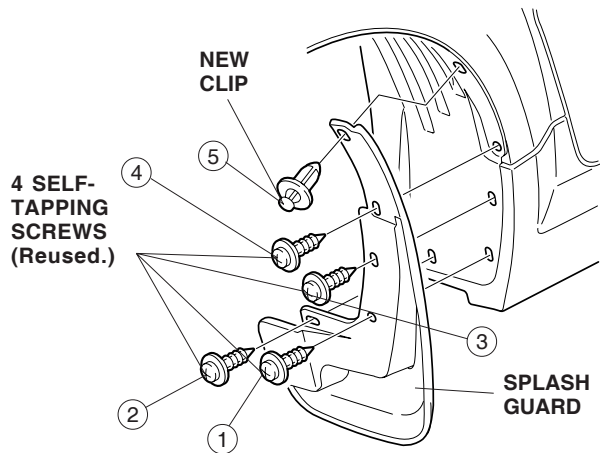
NOTE: These installation instructions show the left splash guards being installed. The same procedure applies to installing the right splash guards.

Installing The Front Splash guards

1. Make sure the area to be covered is clean and has been waxed with a high-quality paste wax.
2. Turn the steering wheel all the way counterclockwise.
3. Remove and retain the four self-tapping screws and one clip that fasten the left front inner fender to the front fender and fenderwell.



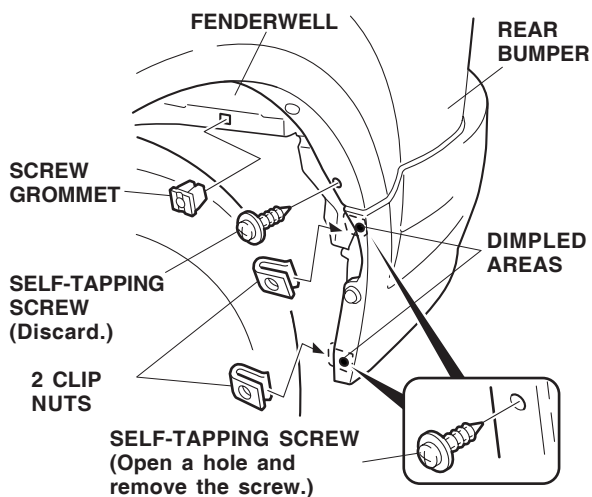
- Position the left front splash guard on the left front inner fender with the bottom portion over the inner fender. Loosely install the four self-tapping screws you removed. While holding the splash guard against the fender, tighten the self-tapping screws in the order shown.



- Install the new clip.
- Turn the steering wheel all the way clockwise, and repeat steps 3 and 5 to install the right front splash guard.

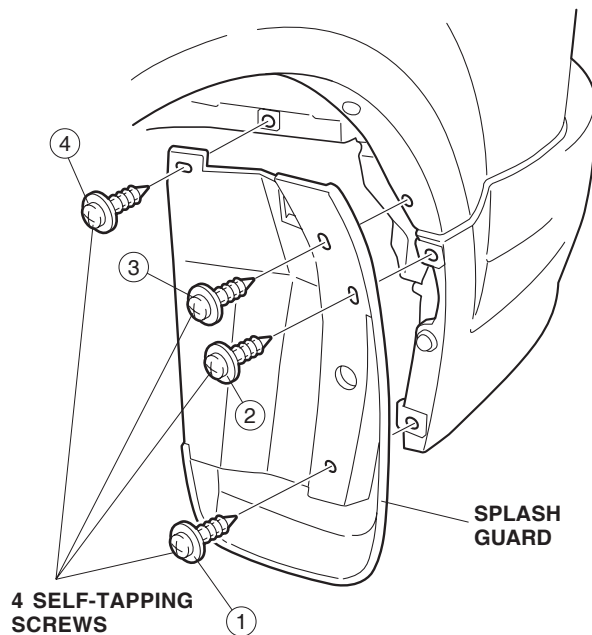
Installing The Rear Splash Guards

- Remove the self-tapping screws that fasten the rear bumper.



- Using a self-tapping screw, make a hole at the two dimpled areas on the rear bumper, remove the screw, and install two clip nuts over the holes.
- Press one screw grommet into the hole in the fenderwell.

- Position the left rear splash guard on the fender and bumper, and loosely install four of the self-tapping screws provided. While holding the splash guard against the rear bumper, tighten the self-tapping screws in the order shown.



- Repeat steps 7 and 10 to install the right rear splash guard.